

we
are
arco

we
make
tables

product
Kami XL

designer
Joost
van der Vecht

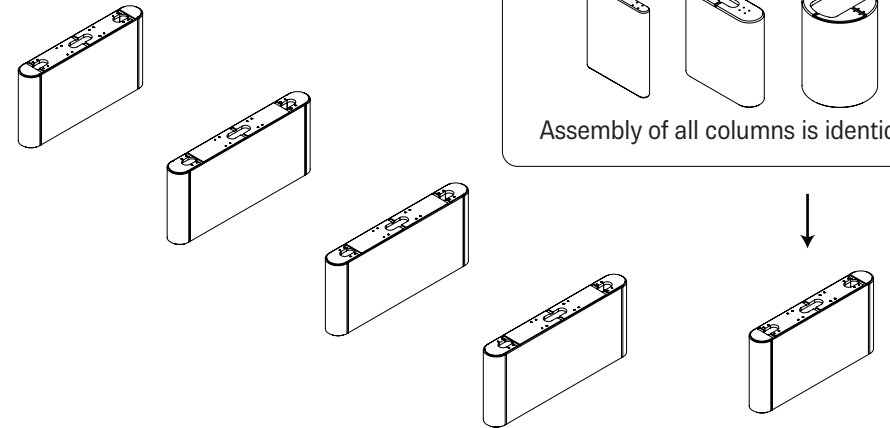
year
2024

Assembly instructions: please follow step 1 - 19.

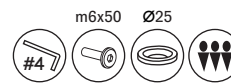


arco

①

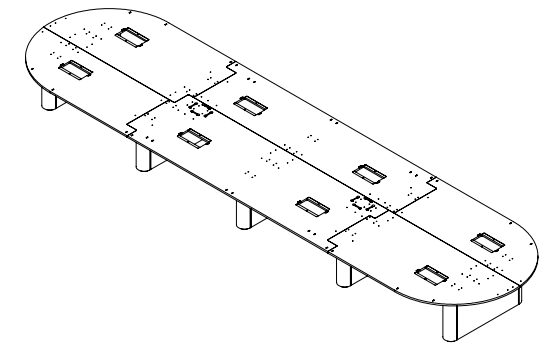


③

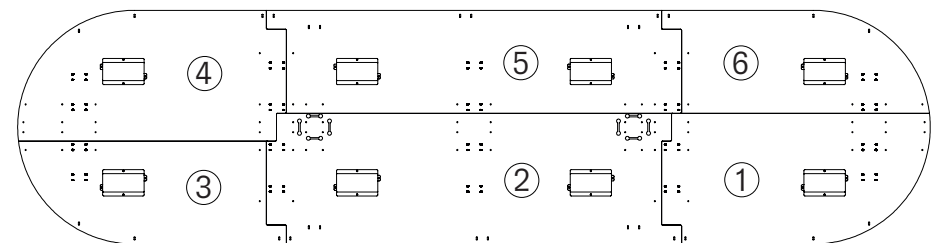


Please identify the six different under panels.

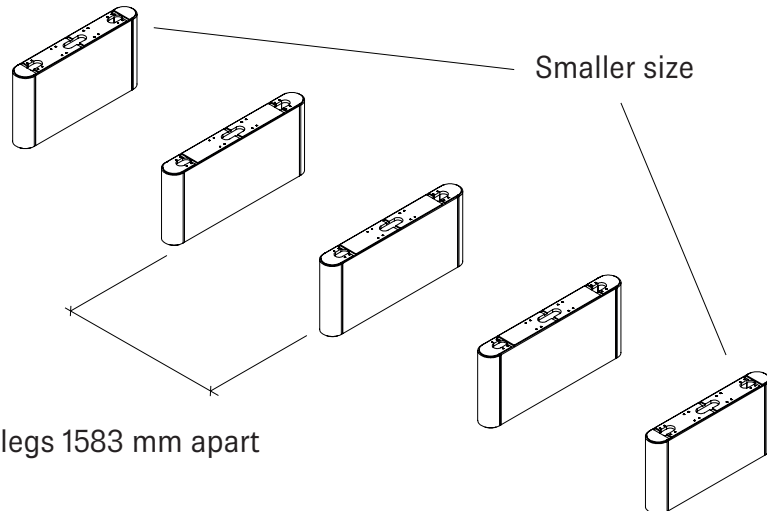
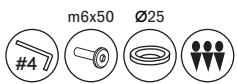
They can be identified by:
- Shape and size
- Number on head side



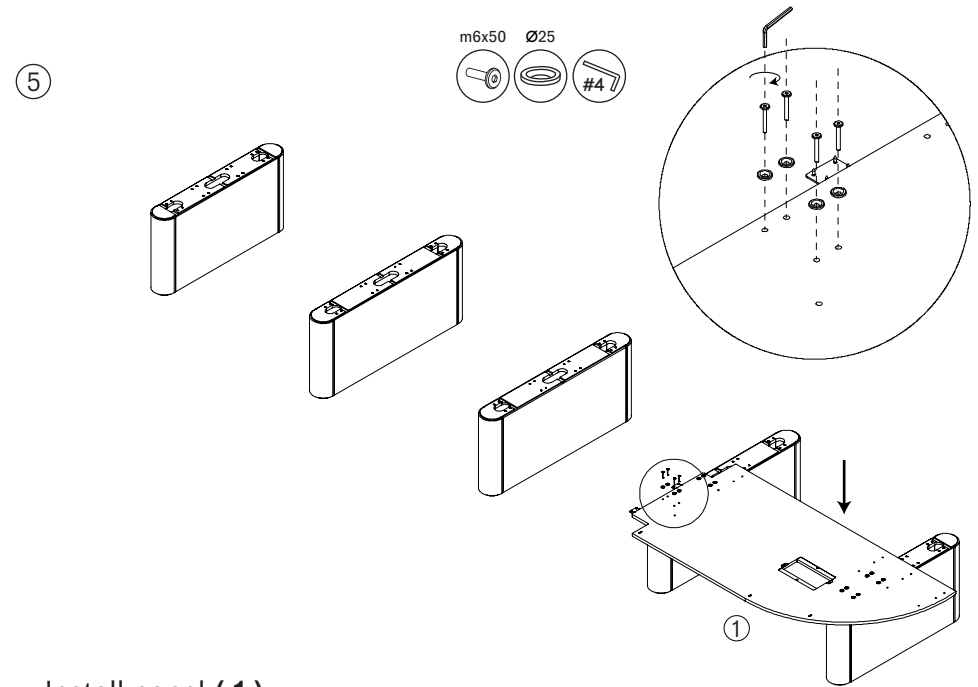
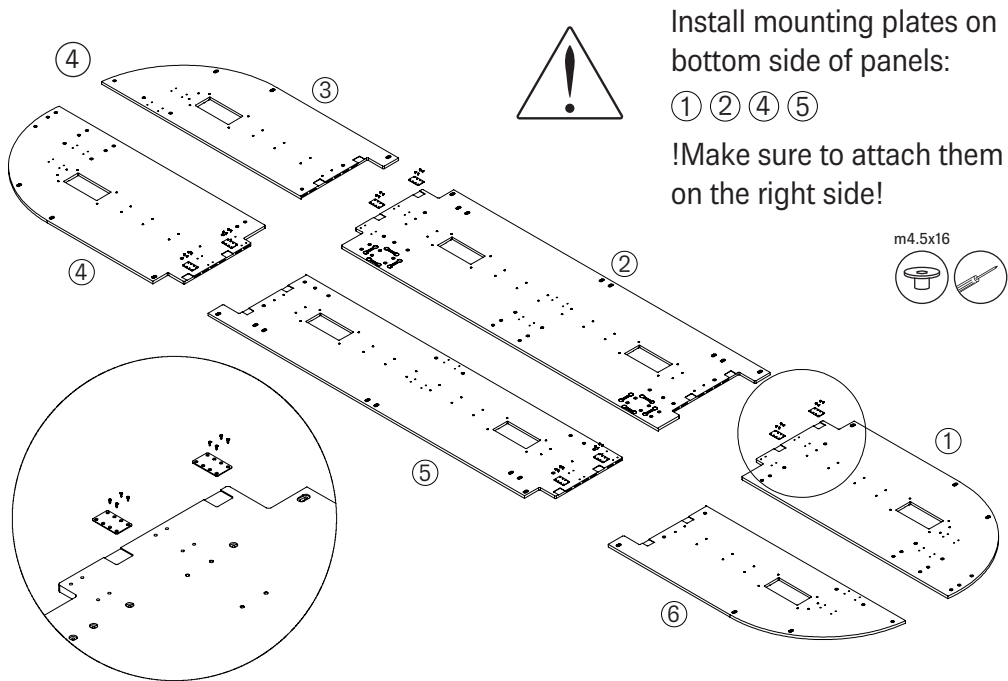
Topside



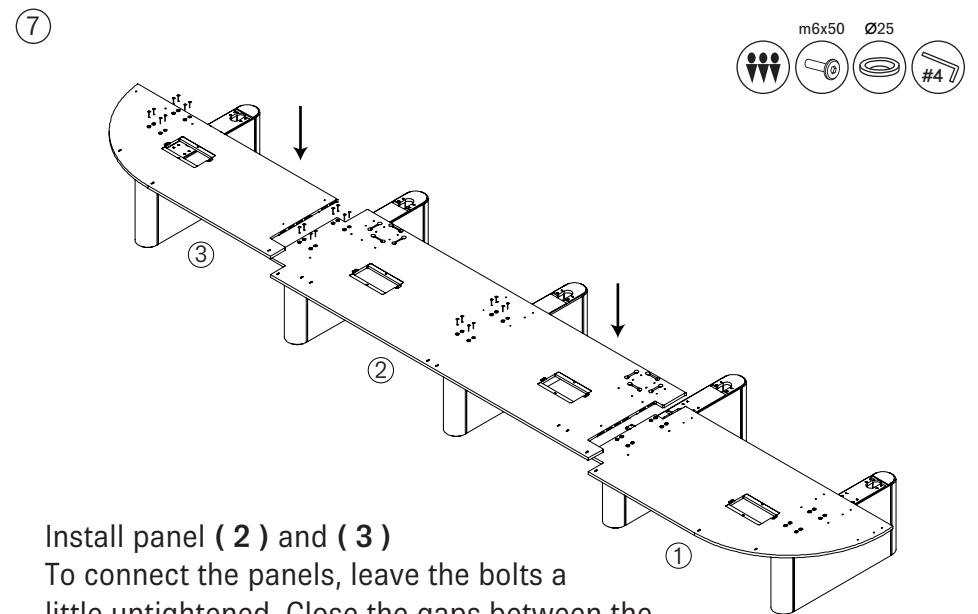
②



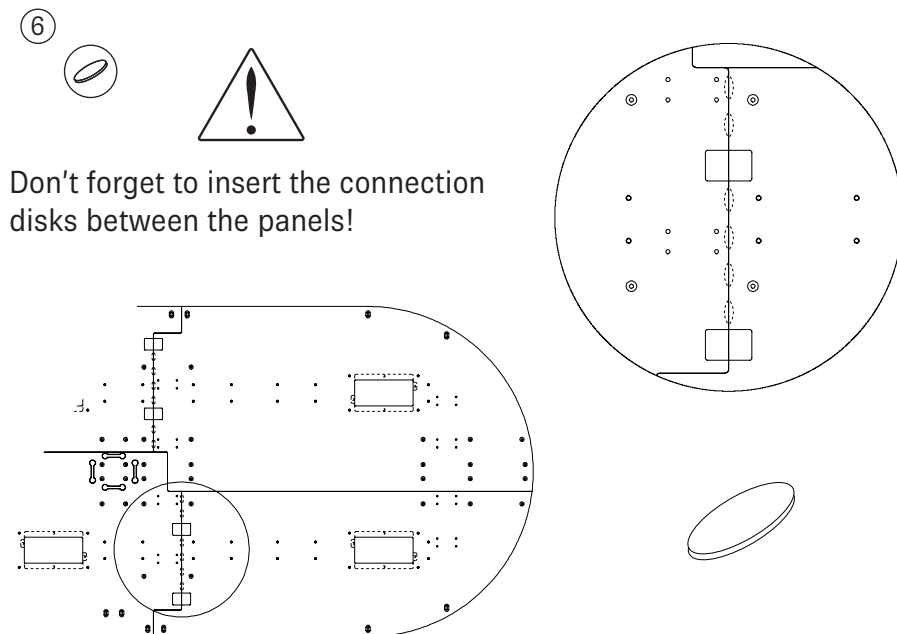
All legs 1583 mm apart

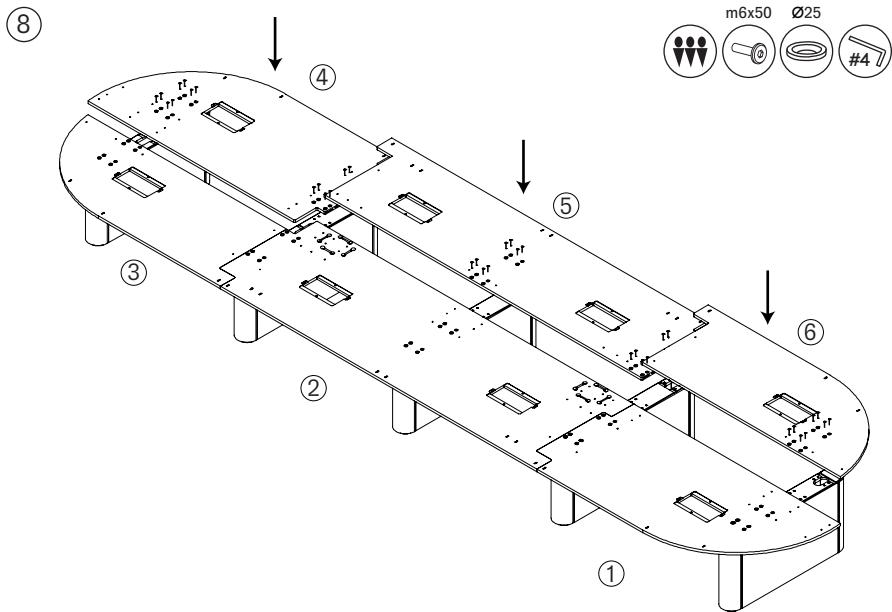


Install panel (1)

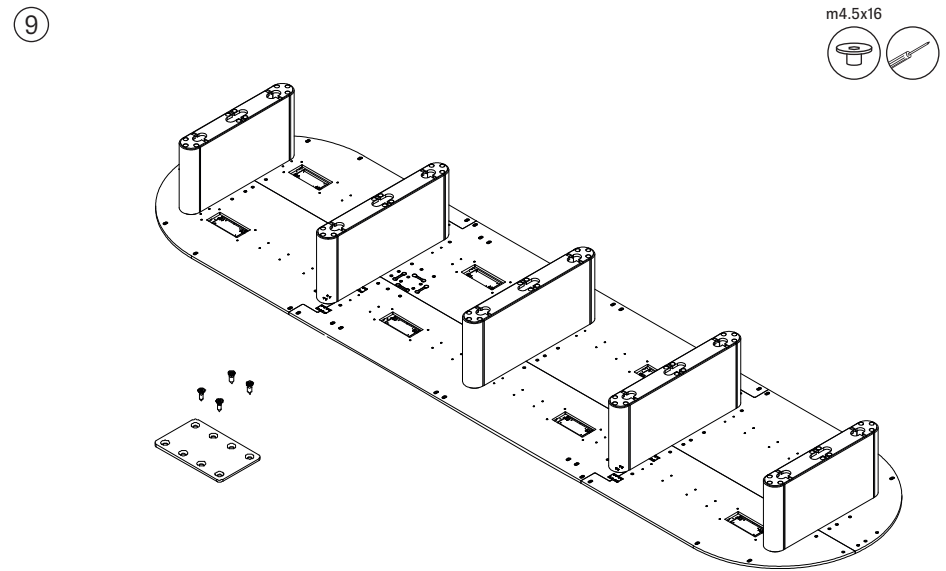


Install panel (2) and (3)
 To connect the panels, leave the bolts a little untightened. Close the gaps between the panels. Then tighten the bolts.

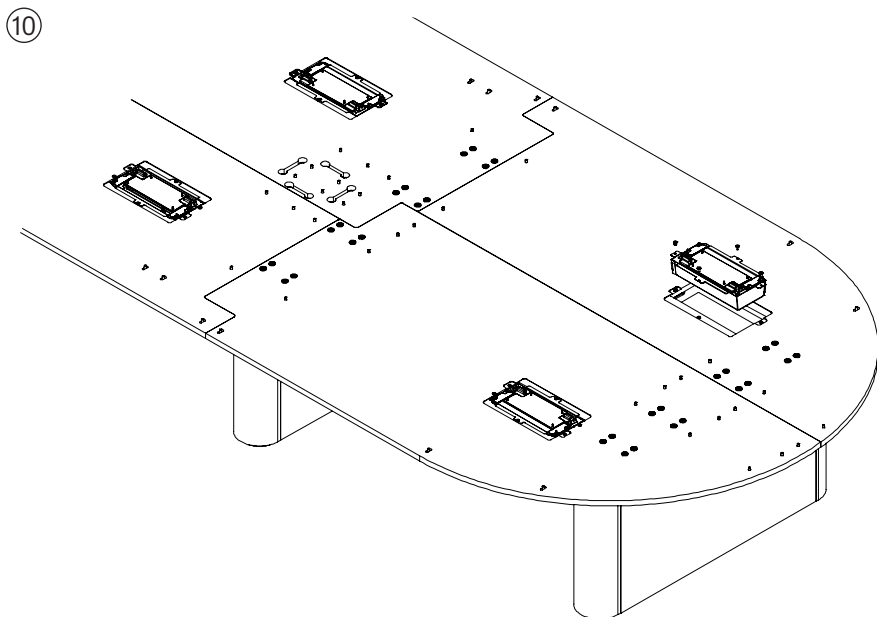




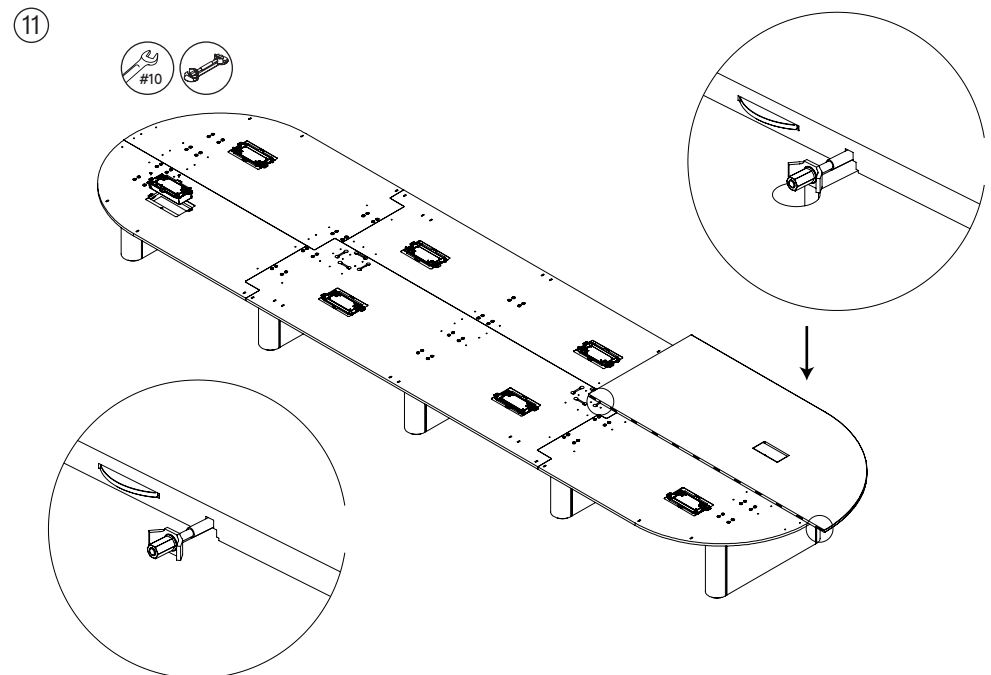
Install panel (4) and (5) and (6)



Connect all panels with the mounting plates



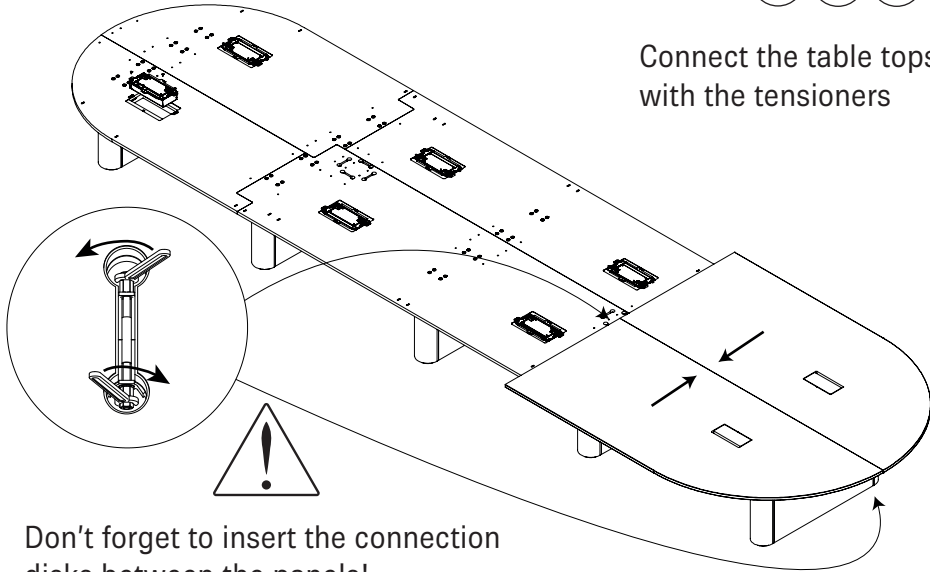
Install the steel **CM04** cable management system



12

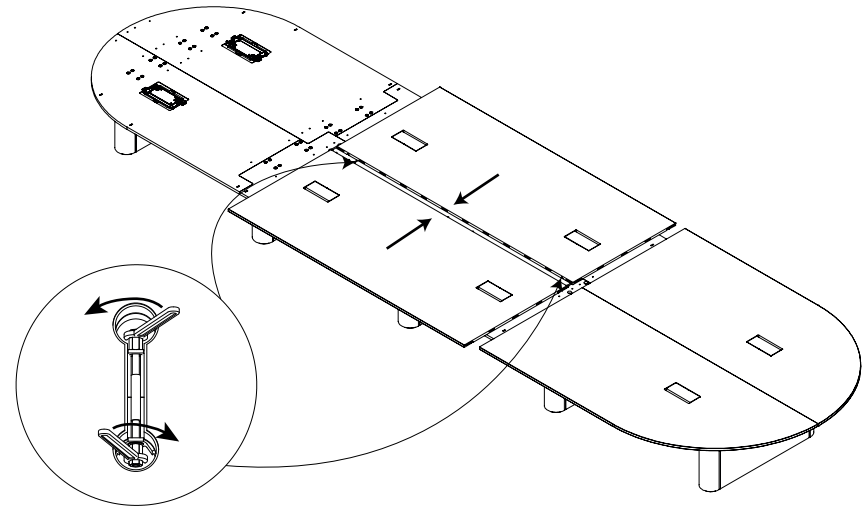


Connect the table tops
with the tensioners

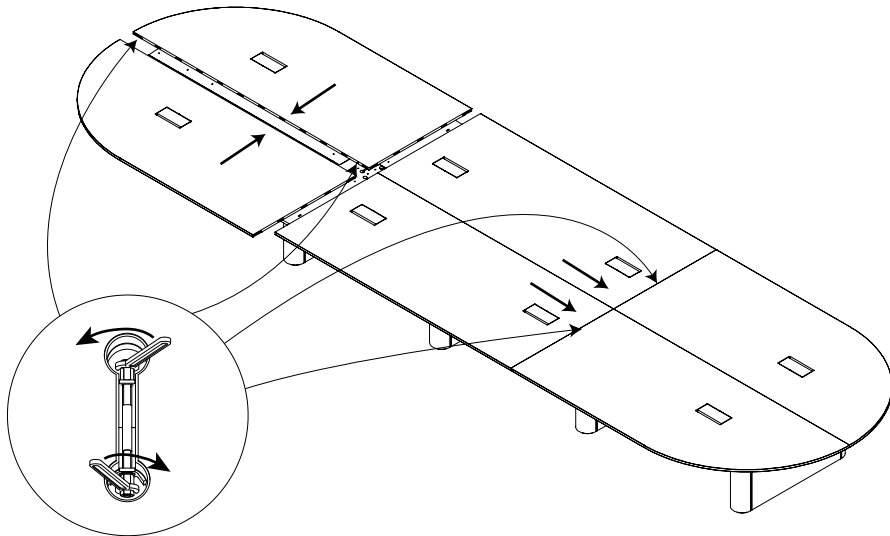


Don't forget to insert the connection
disks between the panels!

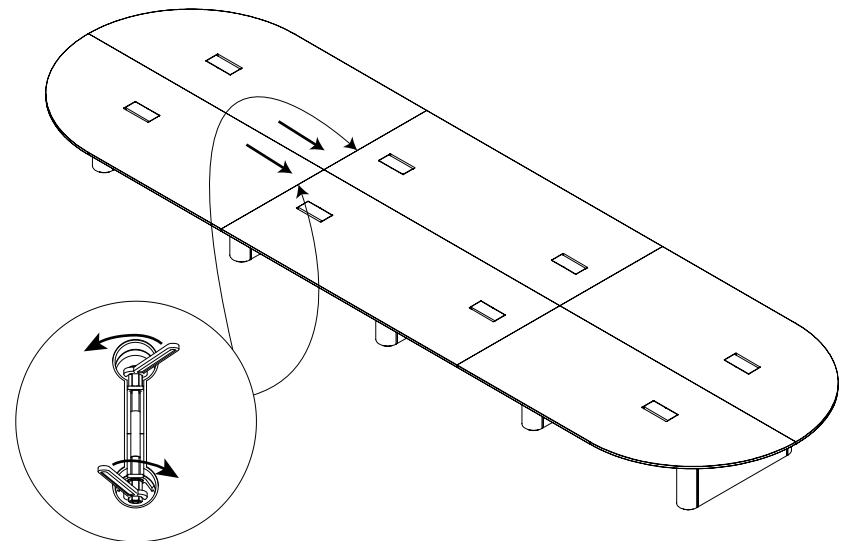
13

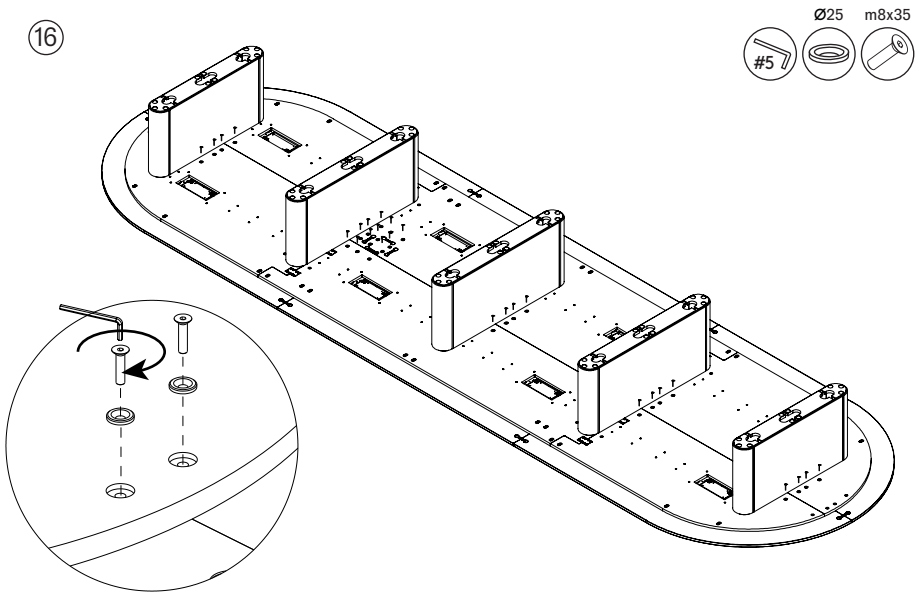


14

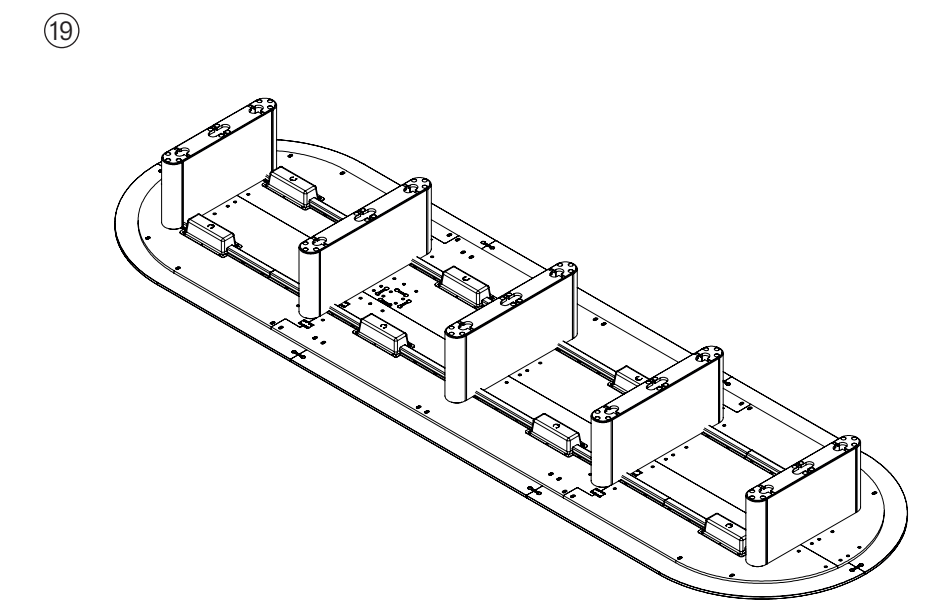
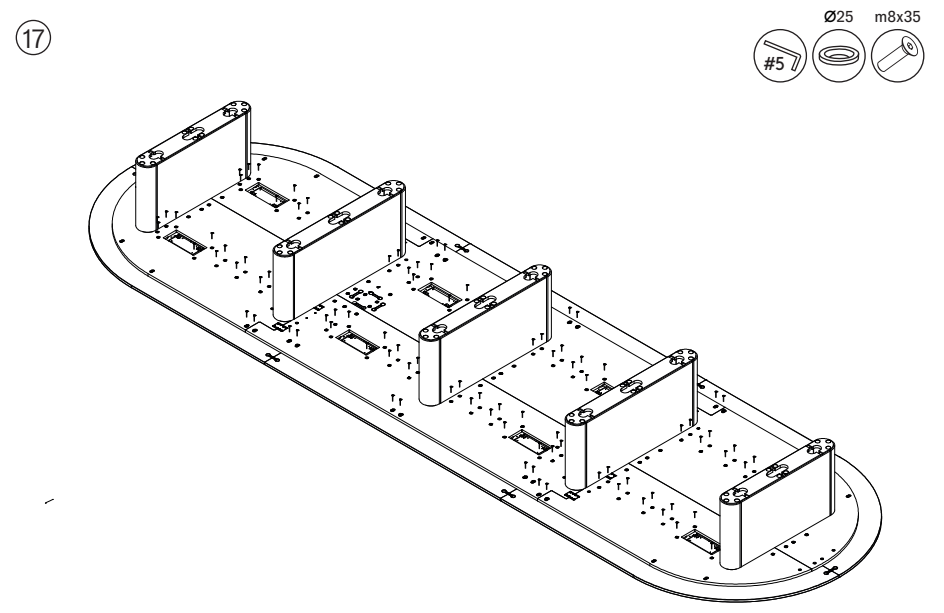
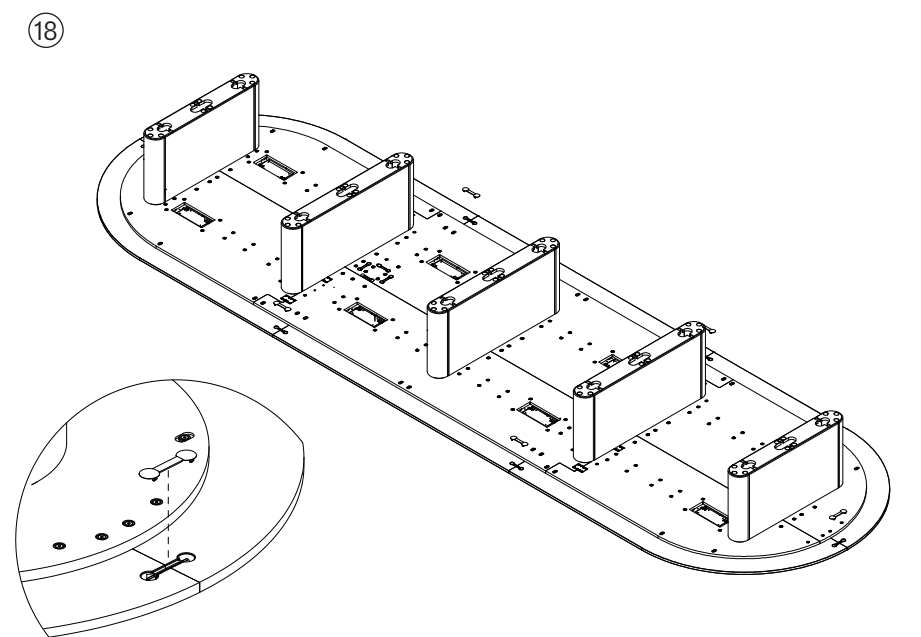


15



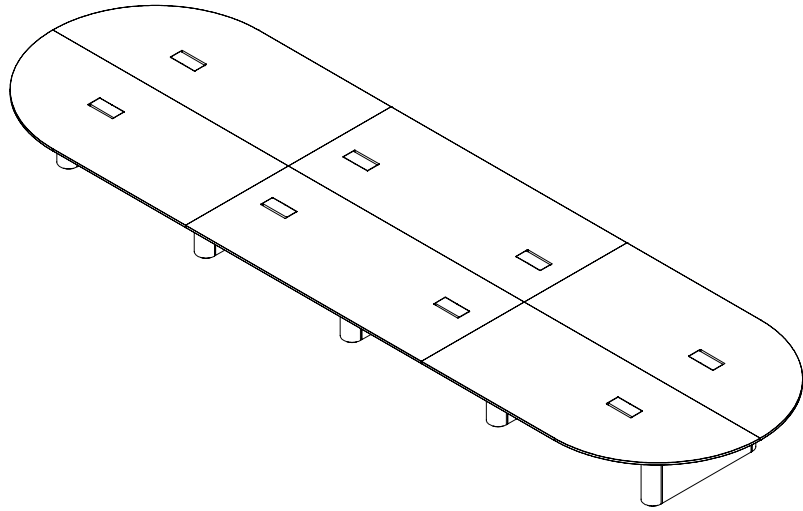


Start bolting from the center



Install the felt covers

20



**we
are
arco**

product
Kami XL

**we
make
tables**

designer
**Joost
van der Vecht**

year
2024

arco